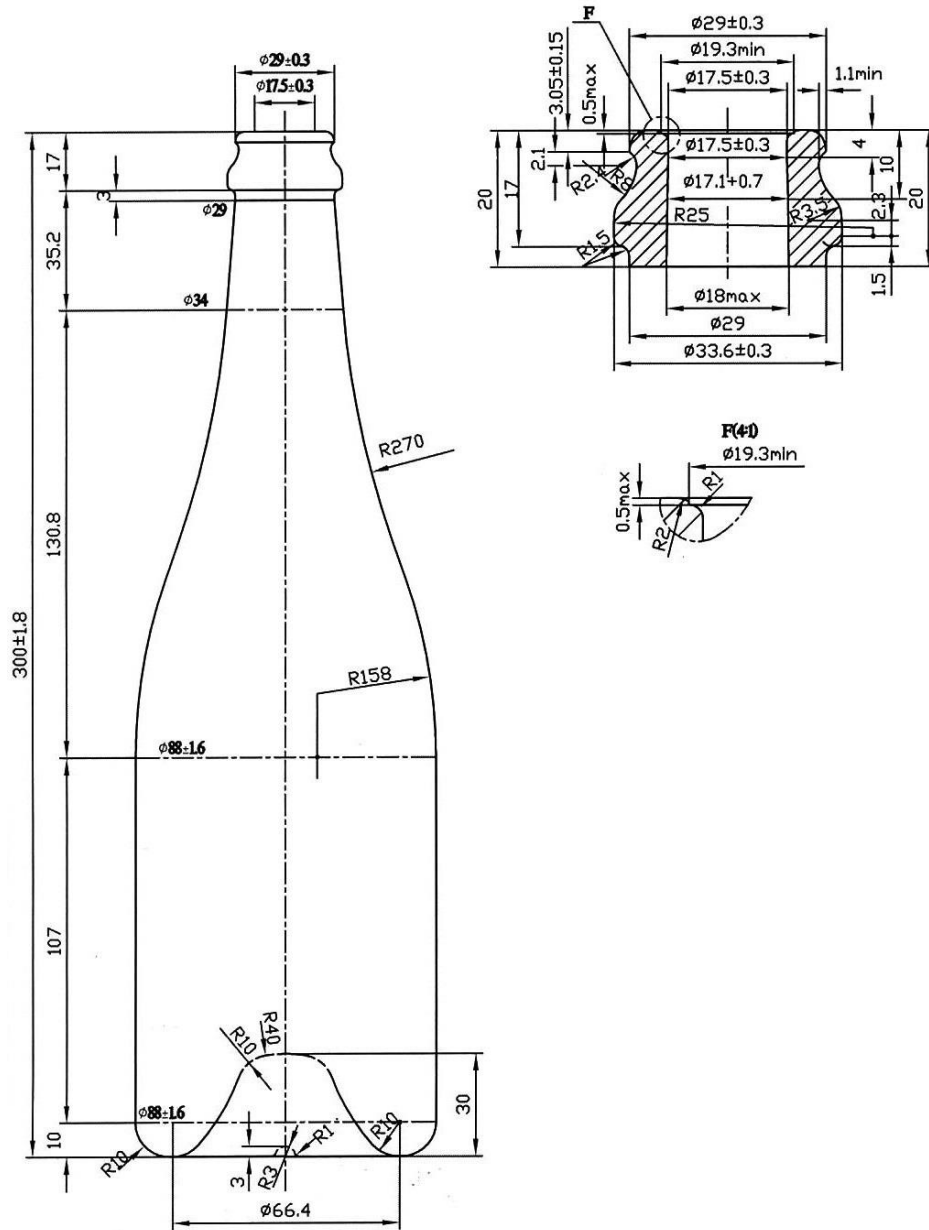




alevgor glass

Champinoise 750 ml



Code	2010
Pressure not less than	17 kgf/cm ²
Capacity	750 ml
Weight	845 g
Units per pallet	936